

# MicroVantage™ SFH Series

Sanitary Filter Housings

# MicroVantage Ultra Premium Filter Series



- Designed for critical applications requiring high purity and durability
- All wetted parts are 316L Stainless Steel electro-polished with standard 25RA internal finish and 32RA external finish.
- In-line single cartridge design
  - Tri-clamp closure for easy cartridge change-outs
  - Ideal for vent applications
- T-style housing design
  - Available for 1 through 21 cartridges
  - Tri-clamp closure for single cartridge housing
  - Swing bolt closures for rugged design and secure sealing
  - Removable bottom seal plate allows ease of cleaning
- Available with 226 or 222 style cartridge connectors
- 1 ½" TC Gauge Port and ½" TC vent and drains are standard
- Optional Sanitary Twist Valve is available for easy sampling of process fluid

## Applications

Ultrapure Water	Food & Beverage
Fine Chemicals	Wine/Beer
Electronics	Vent
Pharmaceuticals	DI Water

## Specifications

### Maximum Operating Pressure

150 psig (10.3 bar) @ 225° F (107° C)

### Inlet and Outlet Connections

Inlet /Outlet: Tri- Clamp

Drain Ports: ½" Tri-Clamp

Gauge Port with Vent: 1½" Tri-Clamps with  
½" Tri-Clamps

### Materials of Construction

Head and Shell: 316L Stainless Steel

Connections: 316L Stainless Steel

Closure: 316L Stainless Steel

Mounting Legs: 316L Stainless Steel

### Gaskets

Silicone

Optional: EPR, Viton, Teflon, Teflon Encapsulated  
Silicone and Teflon Encapsulated Viton

### Finish

Internal surfaces: 25RA Electro-polish

External surfaces: 32RA Electro-polish

### Cartridge Type

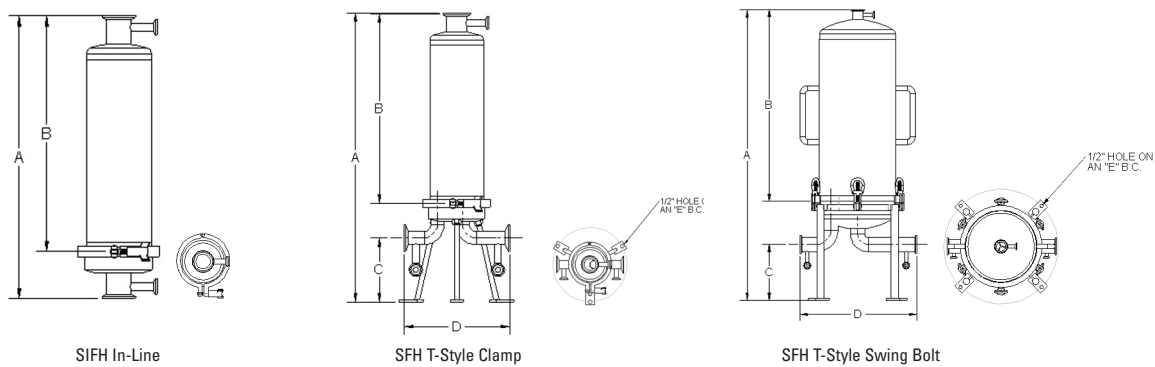
222 and 226 cartridges (maximum 2¾" OD)

### Custom Options

- T-style Sanitary Ferrule Vent with Sanitary Twist Valve  
See Ordering Guide for complete listing

MODEL	QUANTITY (LENGTH) OF CARTRIDGES	INLET/OUTLET	DRAINS	GAUGE PORTS	MAXIMUM DIAMETER CARTRIDGE	DIMENSIONS				
						A	B	C	D	E
1SIFH5	1 (5")	1.5" TC	½" TC	1" TC / ½" TC	2 ¾"	17 7/16" (44.3 cm)	7" (17.8 cm)	-	-	-
1SIFH1	1 (10")	1.5" TC	½" TC	1" TC / ½" TC	2 ¾"	21 7/16" (54.5 cm)	11" (27.9 cm)	-	-	-
1SIFH2	1 (20")	1.5" TC	½" TC	1" TC / ½" TC	2 ¾"	31 ¼" (79.4 cm)	20 7/8" (53.0 cm)	-	-	-
1SIFH3	1 (30")	1.5" TC	½" TC	1" TC / ½" TC	2 ¾"	41 1/8" (104.5 cm)	30 ¾" (78.1 cm)	-	-	-
1SIFH4	1 (40")	1.5" TC	½" TC	1" TC / ½" TC	2 ¾"	50 15/16" (129.4 cm)	40 9/16" (103.0 cm)	-	-	-
1SFH5	1 (5")	1.5" TC	½" TC	1" TC / ½" TC	2 ¾"	17 ½" (44.5 cm)	10 7/32" (26.0 cm)	4 3/4" (12.1 cm)	7 7/8" (20.0 cm)	8 21/32" (22.0 cm)
1SFH1	1 (10")	1.5" TC	½" TC	1" TC / ½" TC	2 ¾"	21 ½" (54.6 cm)	14 7/32" (36.1 cm)	4 3/4" (12.1 cm)	7 7/8" (20.0 cm)	8 21/32" (22.0 cm)
1SFH2	1 (20")	1.5" TC	½" TC	1" TC / ½" TC	2 ¾"	31 ½" (80.0 cm)	24 7/32" (61.5 cm)	4 3/4" (12.1 cm)	7 7/8" (20.0 cm)	8 21/32" (22.0 cm)
1SFH3	1 (30")	1.5" TC	½" TC	1" TC / ½" TC	2 ¾"	41 ½" (105.4 cm)	34 7/32" (86.9 cm)	4 3/4" (12.1 cm)	7 7/8" (20.0 cm)	8 21/32" (22.0 cm)
1SFH4	1 (40")	1.5" TC	½" TC	1" TC / ½" TC	2 ¾"	51 ½" (130.8 cm)	44 7/32" (112.3cm)	4 3/4" (12.1 cm)	7 7/8" (20.0 cm)	8 21/32" (22.0 cm)
3SFH2	3 (20")	2" TC	½" TC	1" TC / ½" TC	2 ¾"	39 ½" (100.3 cm)	25 5/8" (65.1 cm)	7 3/8" (18.7 cm)	13 3/8" (34.0cm)	14 7/16" (36.6 cm)
3SFH3	3 (30")	2" TC	½" TC	1" TC / ½" TC	2 ¾"	49 3/8" (125.4 cm)	31 ½" (80.0 cm)	7 3/8" (18.7 cm)	13 3/8" (34.0cm)	14 7/16" (36.6 cm)
3SFH4	3 (40")	2" TC	½" TC	1" TC / ½" TC	2 ¾"	59 3/16" (150.3 cm)	41 3/8" (105.1 cm)	7 3/8" (18.7 cm)	13 3/8" (34.0cm)	14 7/16" (36.6 cm)
5SFH3	5 (30")	2" TC	½" TC	1" TC / ½" TC	2 ¾"	50 7/16" (128.1 cm)	31 ½" (80.0 cm)	7 7/8" (20.0 cm)	15 ¾" (40.0 cm)	16 13/16" (42.7 cm)
5SFH4	5 (40")	2" TC	½" TC	1" TC / ½" TC	2 ¾"	60 ¼" (153.0 cm)	41 5/16" (104.9 cm)	7 7/8" (20.0 cm)	15 ¾" (40.0 cm)	16 13/16" (42.7 cm)
7SFH3	7 (30")	2" TC	½" TC	1" TC / ½" TC	2 ¾"	50 ¾" (128.9 cm)	31 ½" (80.0 cm)	7 7/8" (20.0 cm)	16 9/16" (42.1 cm)	17 ¾" (45.1 cm)
7SFH4	7 (40")	2" TC	½" TC	1" TC / ½" TC	2 ¾"	60 9/16" (153.3 cm)	41 5/16" (104.9 cm)	7 7/8" (20.0 cm)	16 9/16" (42.1 cm)	17 ¾" (45.1 cm)
12SFH3	12 (30")	3" TC	½" TC	1" TC / ½" TC	2 ¾"	49 5/16" (125.2 cm)	34 11/16" (88.1 cm)	6 1/16" (15.4 cm)	18 ½" (47.0 cm)	19 7/16" (49.3 cm)
12SFH4	12 (40")	3" TC	½" TC	1" TC / ½" TC	2 ¾"	59 5/16" (150.6 cm)	44 11/16" (113.5 cm)	6 1/16" (15.4 cm)	18 ½" (47.0 cm)	19 7/16" (49.3 cm)

## Dimensions



## Ordering Guide (Example: 7SFH3-SB226-2TC25-11S)

7SFH	3	-	SB	226	-	2TC	25	1	1	S
MODEL & NUMBER OF COLUMNS	LENGTH OF CARTRIDGES	CLOSURE STYLE	CARTRIDGE CONNECTOR	CONNECTION	INTERNAL RA FINISH++	VENT	DRAIN	GASKET		
1SIFH	5 = 5" * 1 = 10" 2 = 20" 3 = 30" 4 = 40"	C = Tri-Clamp	222 = 222 Style Cartridge 226 = 226 Style Cartridge	1.5TC = 1.5" TC	25	N= None 1= ½" TC ferrule with solid end caps and 1½" TC gauge port	N= None 1= ½" TC ferrules with solid end caps 2= ½" TC ferrules with sanitary twist valves	S= Silicone (standard) E = EPR V = Viton TS = Teflon Encapsulated Silicone TV = Teflon Encapsulated Viton		
1SFH 3SFH 5SFH 7SFH 12SFH 21SFH	5 = 5" * 1 = 10" 2 = 20" 3 = 30" 4 = 40"	C = Tri-Clamp ** SB = Swing Bolt	222 = 222 Style Cartridge 226 = 226 Style Cartridge	1TC = 1" TC + 2TC = 2" TC + 3TC = 3" TC + 4TC = 4" TC +	25	2= ½" TC ferrules with sanitary twist valve 1½" TC gauge port				

\* 5" length available in 1SIFH and 1SFH models. \*\* Tri-clamp closure and 1" TC connections only available on 1SFH models.

+ Standard connection sizes are: 2" TC for 3SFH, 5SFH and 7SFH models. 3" TC for 12SFH models and 4" TC for 21SFH models. ++ Contact factory for alternate finishes.

## Customization

Housings may be customized to meet your precise requirements. Contact Shelco's technical support staff or your distributor for more information.



## Shelco Filters

100 Bradley Street  
Middletown, CT 06457 USA

Tel: 800-543-5843 / Fax: 860-854-6120 / E-mail: info@shelco.com

MicroSentry™, MicroVantage™, Shelco Filters® and the Shelco logo are registered trademarks of the Tinny Corporation. Shelco Filters is a division of the Tinny Corporation.